

CONNECTION BLOCK
02236
Functions

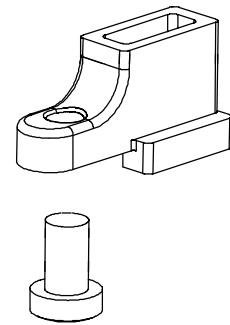
The Cremona connection block art. 02236 is used as an extension part between the Cremona pin and the rod underneath, in Curtain Wall series with particularly large wing width.

Finish

Raw

Packaging

Box of 50 pieces


Technical features

The connecting block for Cremona art. 02236 (Giesse patent) is suitable for the assembly with a pin of a Cremona of 14 mm, it can be used with Cremones type Giesse Euro (art. 01000), Prima (art.01024) and Unica (art. 01150 + 04080), standard Cremones for side-hung closing.

For each closing system two connecting blocks are used, one for each Cremona pin. The use of the Connecting block enables a better motion transmission to the wing mechanism, making it safer and long lasting.

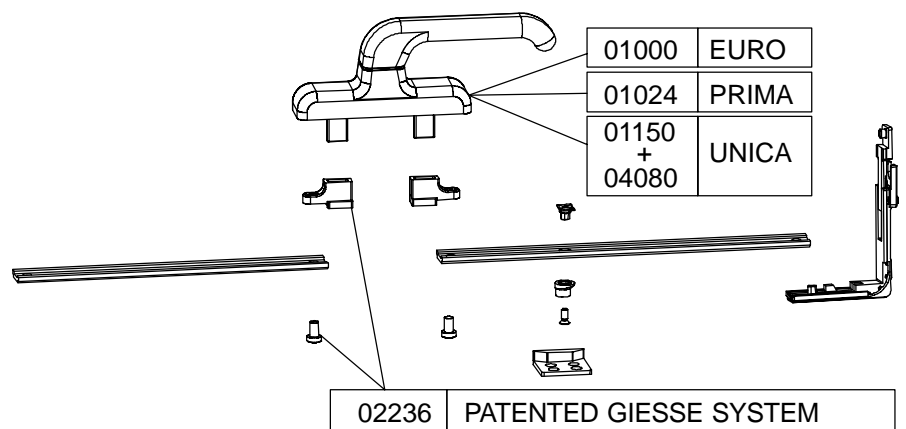
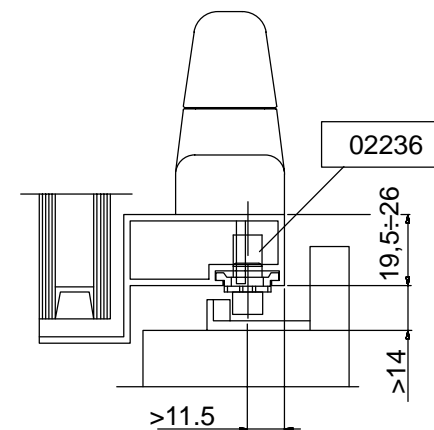
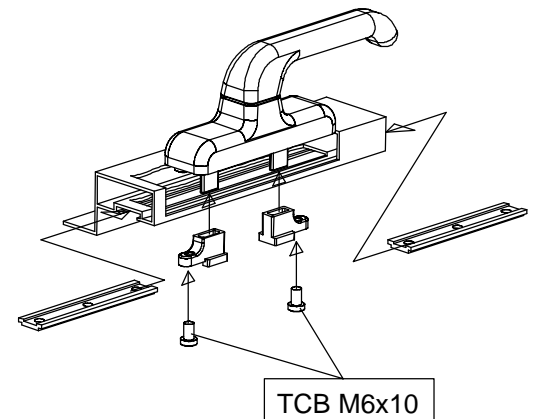
The connecting block art. 02236 can be used on wing profiles with width ranging from 15 to 24 mm. The connecting block art. 02236 is of easy application on rods with hole diameter of 6 and 8 mm, by means of a screw with diameter.

Parts

1 Screw TCB M6X10

Materials

Connecting block of white galvanized zamak
Fixing screw of white galvanized steel


Mainly used with the following series:

SEE THE GIESSE ACCESSORIES INDEX (WHERE-USED)