

**CORNER TRANSMISSION FOR PERIM.  
FASTENINGS**
**04020K**
**Functions**

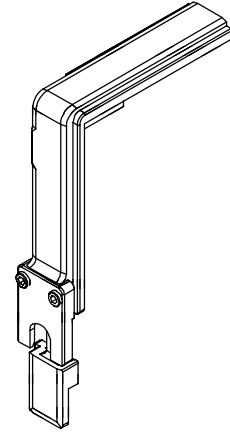
Corner transmission permitting transfer of the movement from the jamb to the crosspiece of the frame and vice versa.

**Finish**

Natural

**Packaging**

Box of 50 units


**Technical features**

On swing frames it permits making supplementary fastening points on the crosspieces by using the adjustable pawl art. 04030 and the relative striker.

Recommended also for application in multiple fastenings on pivot-hung or external opening windows.

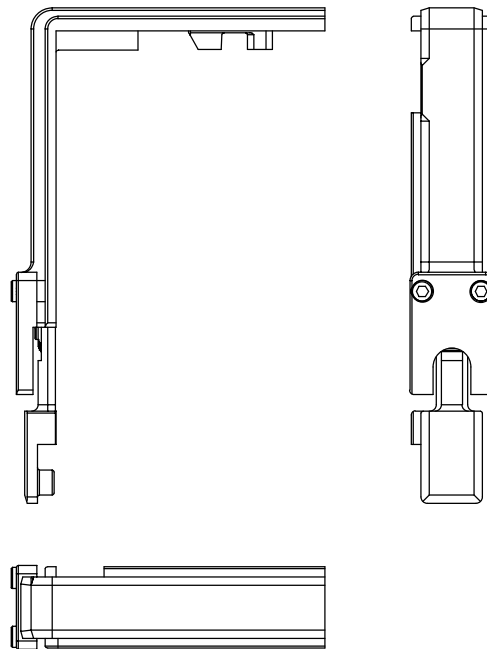
This article should always be used in conjunction with the rods in the range it is used for.

**Parts**

2 M5x6 grub screws

**Materials**

SILVER PLUS GS Zamak body and hand  
Stainless steel grub screws and plates


**Mainly used with the following series:**

SEE THE GIESSE ACCESSORIES INDEX (WHERE-USED)