

ADJUSTABLE FASTENING PAWL
04030
Functions

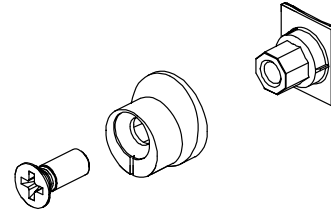
Fastening element to be applied directly onto the rods in the range. It permits adjusting the force of the pull by simply turning the eccentric part.

Finish

Natural

Packaging

Box of 200 units


Technical features

Simple and quick to apply by simply making a hole diam. 8 mm on the rod.

Permits making one or more supplementary fastenings on any frame.

Offers the possibility of adjusting the force of the closing pull (as on tilting sash mechanisms).

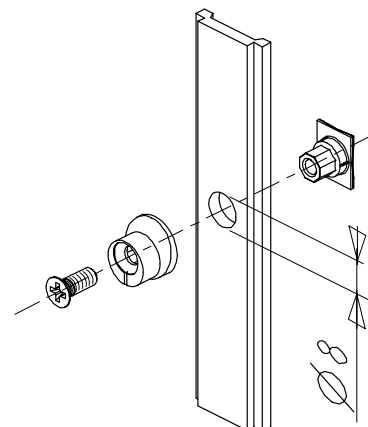
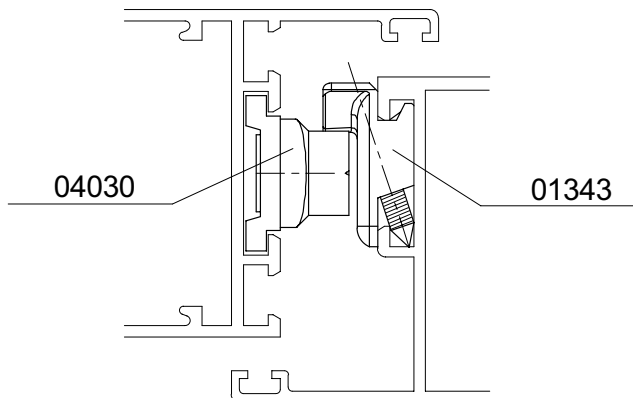
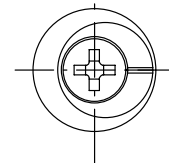
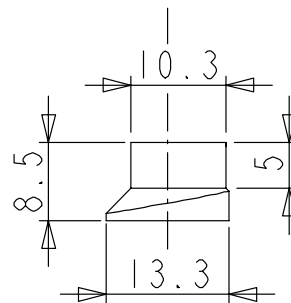
Parts

1 M4x10 screw

Materials

GS500 Zamak base and pawl

Stainless steel screws



To be combined according to the range with the specific striker:
 art. 01342 Forma – art. 01343 GACS – art. 01344 R40 – art. 01345 R50/R50TT/R60TT

Mainly used with the following series:

SEE THE INDEX OF ACCESSORIES AND THEIR USE ON THE VARIOUS PROFILE SECTIONS