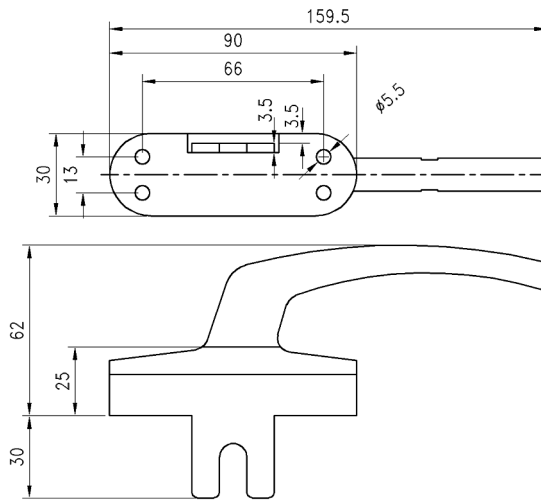




### EKO DESIGN



#### Features:

Unidirectional drive

Standard color: black & white

Product code: CP - AA06

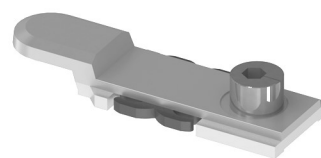
The EKO handle is the latest multipoint handle offering from ConStyle; developed by Golking Hardware; a member of the Assa Abloy Group. These handle are aesthetically ergonomic and yet practical to fulfill the requirements of modern architectural needs.

All major component of the multipoint accessories are made of high quality zinc alloy and enhanced with stainless steel reinforcement in critical areas to deliver an exceptional durability and high impact

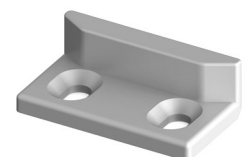


Connection Rod (MTR001)

All Constyle multipoint locking system are designed to suit the standard Euro Groove aluminium extrusion.



Locking Point (ET001)



Striker (C1267)

Manufactured by Golking Assa Abloy

