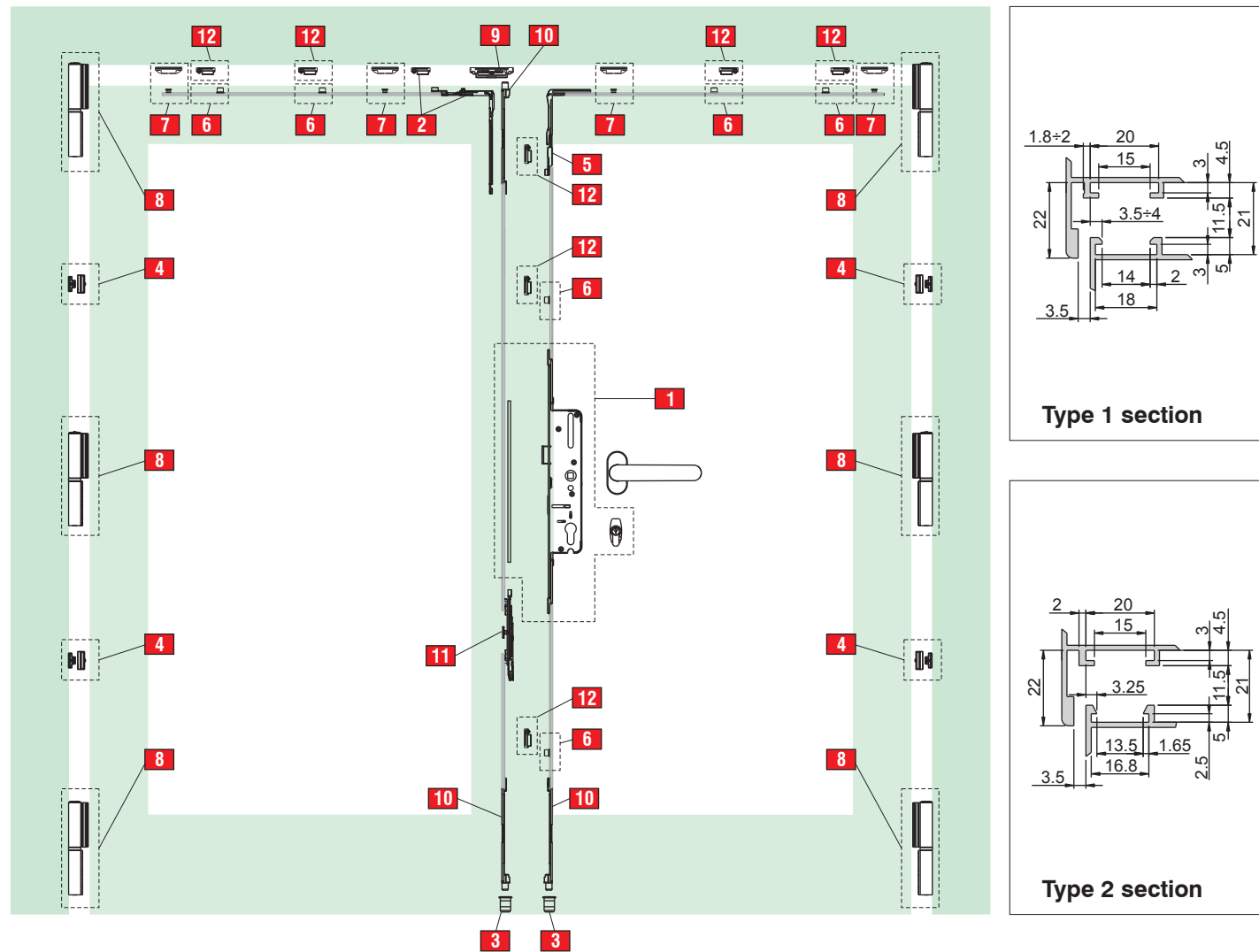


GIESSE DOOR WITH PERIMETER LOCK

FUTURA door with window profile

(example configuration)



Description

Double door (window profile) with multilock and tamper-proof device (on both sashes)

N°	Type 1 section	Type 2 section	Description
1	See code table		Lock + Frame striker + cylinder
2	04045000K	-	Corner bolt
3	02159000	02159000	Threshold bush
4	01350000K	01350000K	Third locking point
5	04019000K	04019000K	Drive angle
6	04027000K	04027000K	Fixed pawl
7	04031000K	04031000K	Anti-leverage device
8	00535...N	00529...N	FLASH XL hinge
9	01348000K	01348000K	Simple striker
10	02188000K	02188000K	Adjustable terminal
11	02189000K	02189000K	Two-way operation
12	01353000K	01353000K	Adjustable striker



www.giesse.it

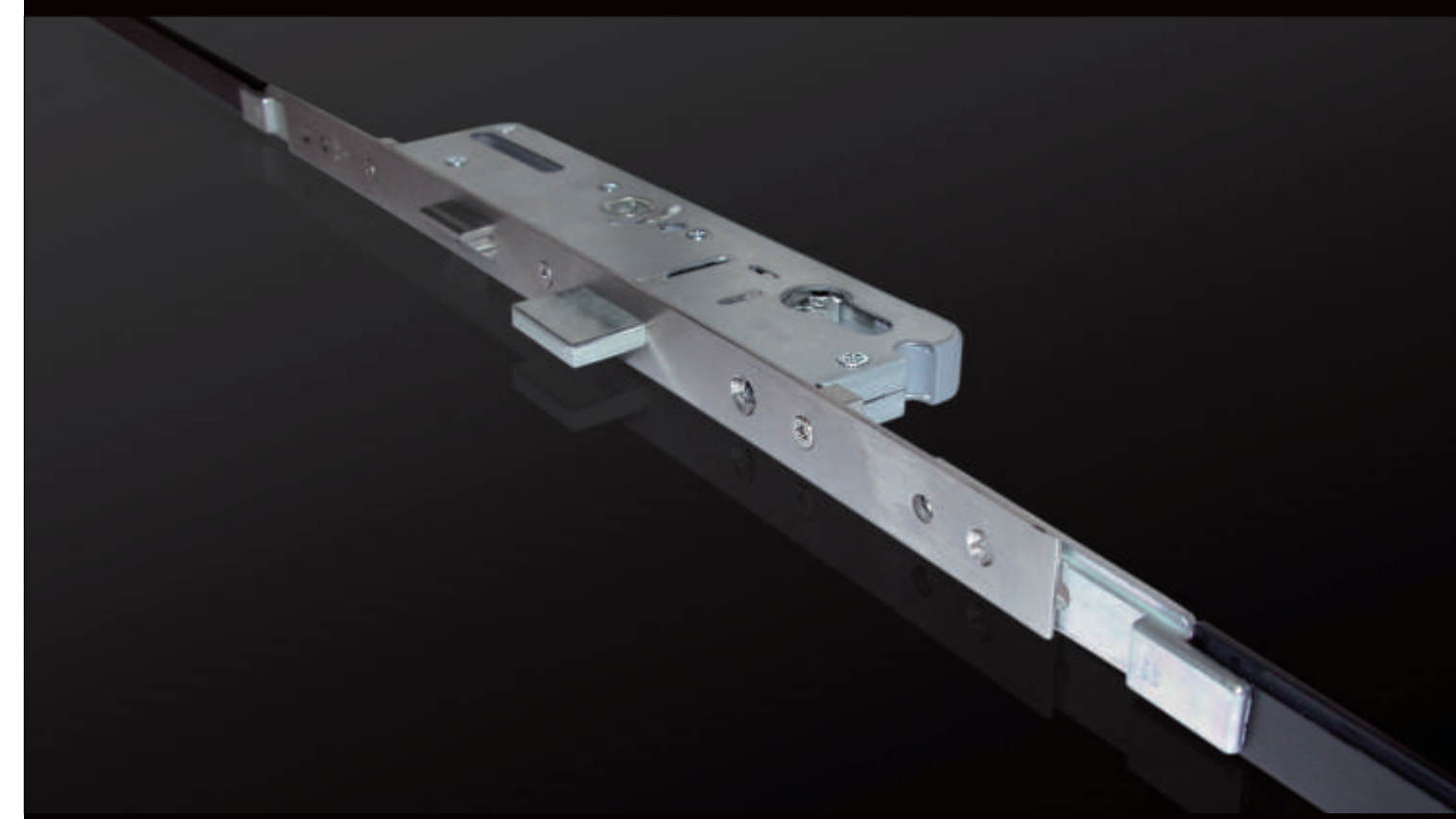


GIESSE



U0332001/04-2010

GIESSE DOOR WITH PERIMETER LOCK
The most complete multipoint hardware for Euro Groove available on the market



GIESSE
www.giesse.it

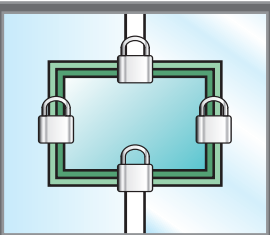
COMPONENTS FUTURA

The most complete multipoint hardware system for Euro Groove available on the market

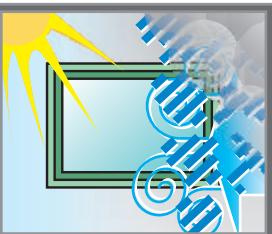
Ever greater capacities



Multilock



Maximum corrosion resistance

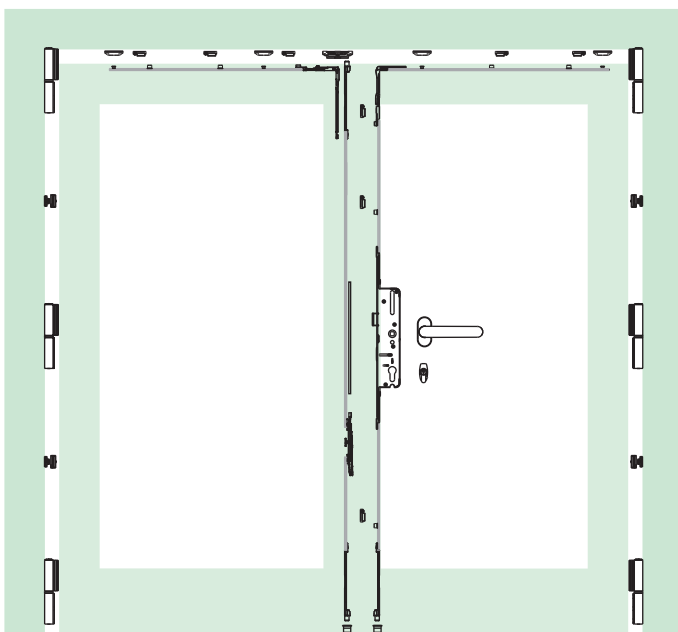


Simple, Easy and Quick



Advantages

- Can be used with hinges adapted to any application or performance requirement (Flash XL, Flash XXL, Linea 3D)
- Able to operate locking points on all sides through the multipoint lock, increasing tamper-resistance
- Convenient polyamide rod makes it possible to create doors with any dimensions
- High component range allows for optimum fitting to the strikers
- Ideal for balcony and service doors
- Components with Grade 4 corrosion resistance (over 240 hours) as per EN 1670



Two-way handle-operated door lock

Security combined with application modularity

The solution

The Giesse handle-operated multipoint lock for Euro Groove and the natural evolution of door locks.

Unlike traditional locks, the two-way (up-down) motion is caused by the rotation of the handle rather than the key. Joined to the polyamide rod by specific connection adapters, the lock provides multipoint locking. The number and position of the locking

Strong points

Because greater pressure can be applied to the handle than when using a key with a traditional lock perimeter locks can be activated. The convenience and modularity of the connecting rod make it possible to choose the number and position of

Operation

When the handle is turned upwards, the lock provides multipoint locking by simultaneously moving:
 1 - The upper rod upwards
 2 - The bolt forwards
 3 - The lower rod downwards

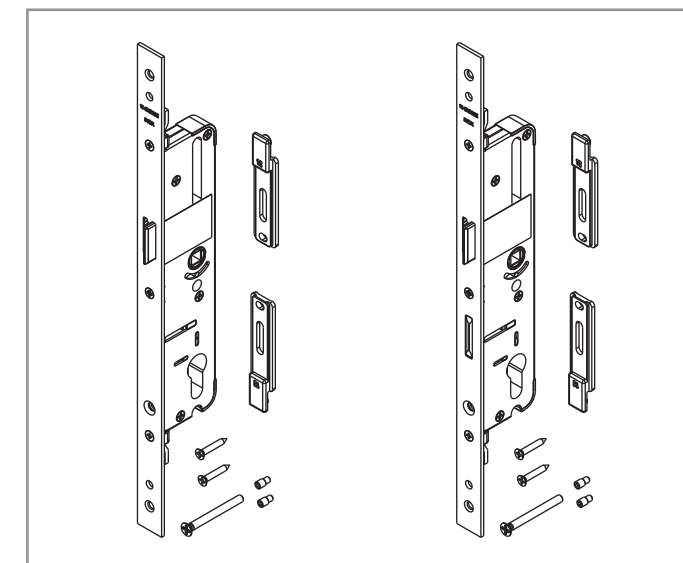
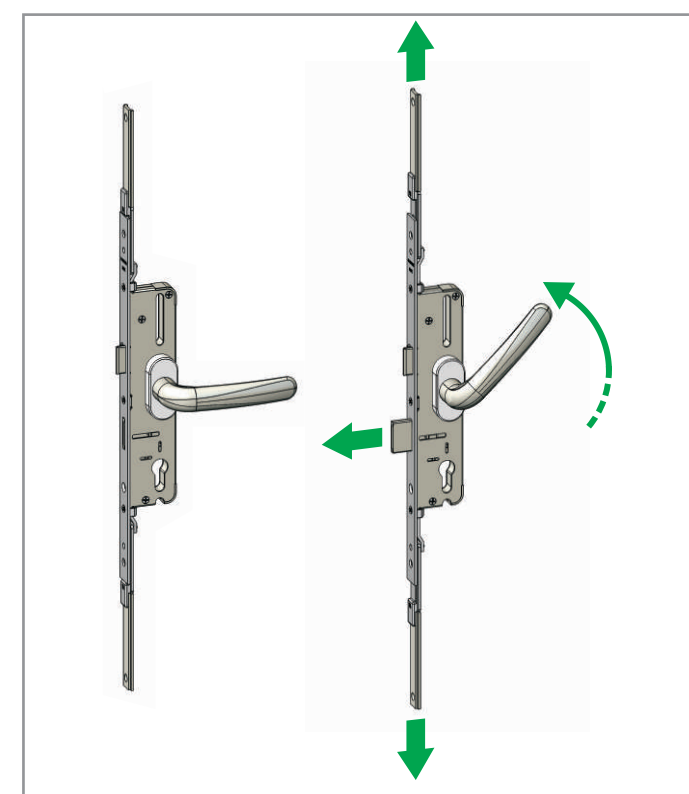
When the cylinder is operated with the key, movement of the handle is inhibited and the door is prevented from opening. The function of the key is only to lock/unlock the rotation of the handle.

points can be chosen as desired on all sides of the frame. The characteristics of this lock are particularly suitable for use on balcony doors.



locking points on several sides of the door, providing resistance to tampering and atmospheric agents. With just a few simple machinings, familiar to the professionals who work with Giesse, combined with the current range of hinges and handles, the multipoint handle-

operated lock makes it possible to create a complete system for Giesse doors, with minimum machining and maximum flexibility (dimensions, finishes, aesthetics, etc.)



Central lock for installation on the aluminium upright, available with pawl and bolt or only pawl, equipped with two-way adapters for connecting to the rod for multipoint locking. Compatible with cylinders for European profile.

Technical specifications

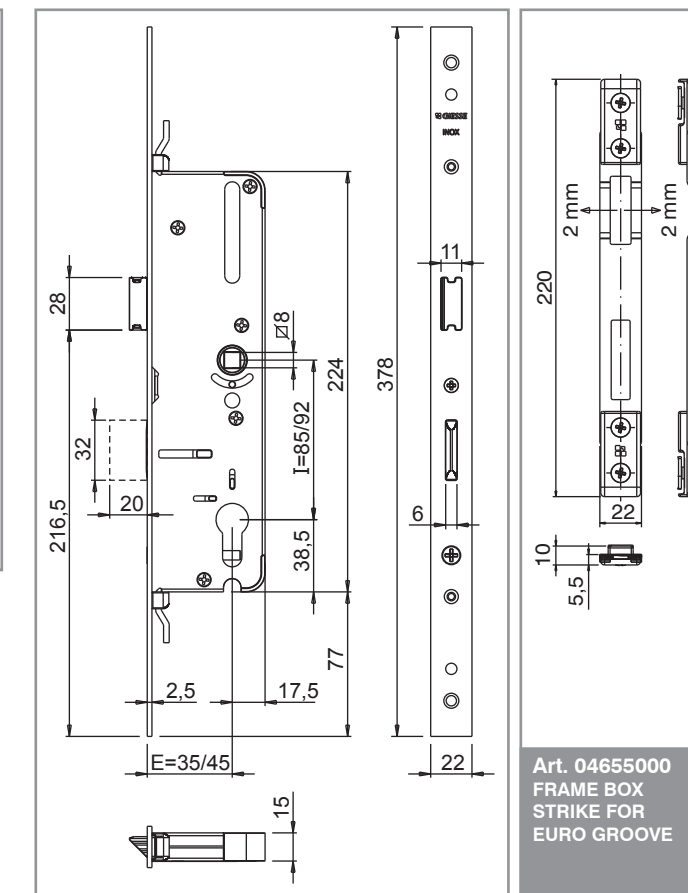
- Cylinder-operated, with 8 mm handle spindle
- Distance of 85/92 mm between handle spindle axis and cylinder; mechanism with European profile cylinder.
- Stainless steel faceplate, 378 x 22 x 2.5 mm
- Nickel-plated, handle-operated steel bolt (*).
- 6 mm thick, operated by reversible (right/left), nickel-plated, handle-operated 20 mm steel bolt. Zamak adapters for connecting to the polyamide rod, operated by the handle.
- 6 mm thick, operated by 20 mm
- reversible (right/left), handle-operated, nickel-plated steel bolt.
- Zamak adapters for connecting to the polyamide rod, operated by the handle

- Handle locked and unlocked using a key.
- Internal components and unseen parts made of zinc-plated steel.

Note: For proper lock operation, the Internal/External handle pair (* available under codes 04646 and 04650 must be used.

Supplied

- 2 rod connection adapters
 - 2 stainless steel M4 threaded pins for attaching the adapters
 - 1 M5x50 stainless steel screw for attaching the cylinder
 - 2 stainless steel 3.9x19 self-threading screws for attaching the lock
- Optional accessories**
Frame box strike



Art. 04655000
FRAME BOX
STRIKE FOR
EURO GROOVE

Code	Description	
04645000	MULTIPOINT LOCK FOR EURO GROOVE Backset=35 mm - Interaxis=85 mm	1
04646000	MULTIPOINT LOCK FOR EURO GROOVE Backset=35 mm - Interaxis=85 mm - version bolt version	1
04649000	MULTIPOINT LOCK FOR EURO GROOVE Backset=45 mm - Interaxis=85 mm	1
04650000	MULTIPOINT LOCK FOR EURO GROOVE Backset=45 mm - Interaxis=85 mm - bolt version	1
04699000	MULTIPOINT LOCK FOR EURO GROOVE Backset=45 mm - Interaxis=92 mm - version with stainless steel bolt and box	1
04655000	MULTIPOINT LOCK FRAME STRIKE BOX for Euro Groove	5
04634000	DOUBLE CYLINDER WITH SMALL KNOB European profile - with L key = 62 mm (31-31)	10
04635000	HALF CYLINDER WITH FLAT KNOB European profile - with L key = 41 mm (31-10)	10
04636000	DOUBLE CYLINDER WITH SMALL KNOB European profile - with L key = 92 mm (61-31)	10
04637000	DOUBLE CYLINDER WITH FLAT KNOB European profile - with L key = 92 mm (61-31)	10
04647000	DOUBLE CYLINDER WITH FLAT KNOB European profile - with L key = 92 mm (61-31)	10
07680000	DOUBLE CYLINDER European profile - with L key = 62 mm (31-31)	10
07681000	DOUBLE CYLINDER European profile - with L key = 64 mm (27-37)	10
07682000	DOUBLE CYLINDER European profile - with L key = 70 mm (35-35)	10
07683000	DOUBLE CYLINDER European profile - with L key = 72 mm (31-41)	10
07684000	DOUBLE CYLINDER European profile - with L key = 82 mm (41-41)	10
07685000	DOUBLE CYLINDER European profile - with L key = 82 mm (31-51)	10
07686000	HALF CYLINDER European profile - with L key = 40 mm (30-10)	10
07687000	DOUBLE CYLINDER European profile - with L key = 92 mm (31-61)	10