

TOP SECURITY BRIO



Giesse multi-locking system for sliding windows and doors

TOP SECURITY BRIO

Giesse Multi-locking system for the safety of sliding windows and doors

As of today the sliding systems, unlike the side-hung opening, had only one locking point and this could be a weak point.



Stepping forward on the path of research and development, Giesse has increased the safety standard of the sliding window, with more locking points a higher safety of the sliding window/door is guaranteed.



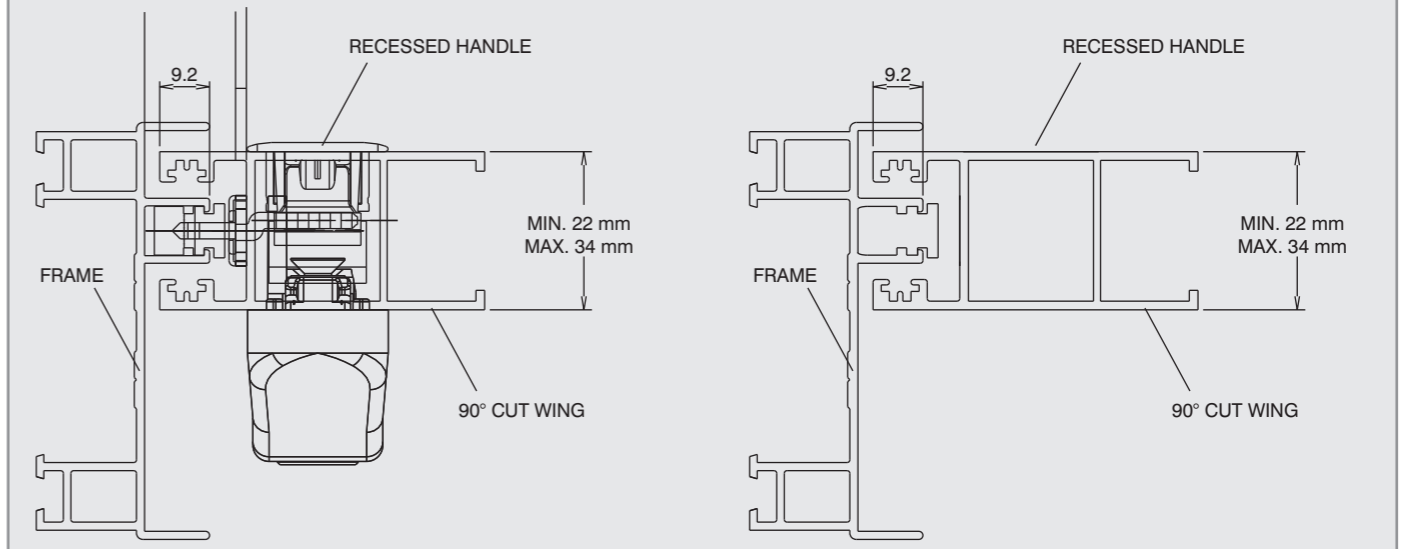
The **Top Security Brio Project** is a solution in line with all the accessories of the Brio line and guarantees a competitive edge to those window-makers who already use the products of Brio line. They will have at their disposal a valid Multi-locking system with a reduced number of references.

TOP SECURITY BRIO

Giesse Multi-locking for the safety of the sliding system

The Multi-locking **Top Security Brio** is applied on the wing profiles with 90° cut, where the recessed handle is applied inside the tubularity. For this series Giesse has studied 2 types of hardware, one for doors (3 locking points) and one for windows (2 locking points).

TECHNICAL INFORMATION



TOP SECURITY BRIO

Installation Steps

The hardware can be easily applied on a wide range of profiles, in fact it is sufficient to realize the fixing holes on the wing upright.

The operation is simplified by the " Universal template for the Multi-locking fixing " that makes the drilling operation easy and fast.

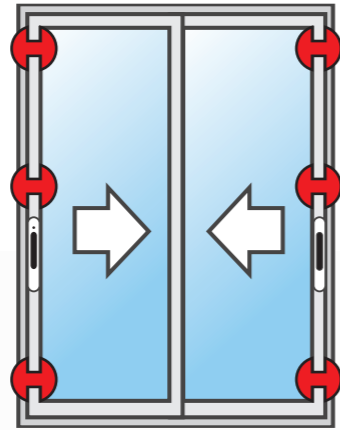
THE HARDWARE CAN BE APPLIED VERY QUICKLY ON THE WING PROFILE

- 1 Lay the rod on the wing profile
- 2 Connect the locking rod on the Brio handle by means of the right driving component
- 3 After placing Brio in opened position bore the fixing holes
- 4 Fix the hardware

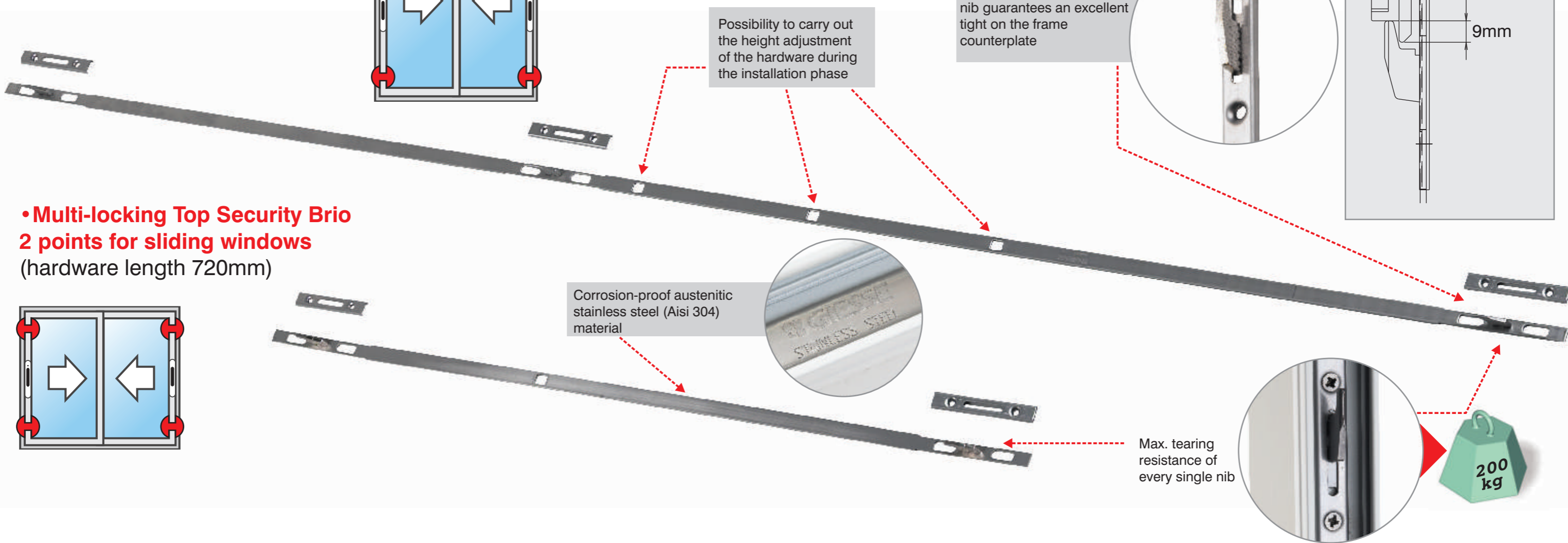
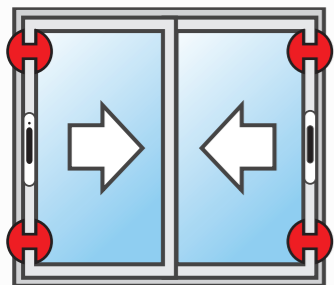
TOP SECURITY BRIO

Technical features

- **Multi-locking Top Security Brio**
3 points for sliding doors
(hardware length 1500 mm)



- **Multi-locking Top Security Brio**
2 points for sliding windows
(hardware length 720mm)



TOP SECURITY BRIO

Possibility to open the wing from the external side

Giesse offers the possibility to open and close the hardware with key.
2 types of external handles with key are available:

ART. 02967V external handle with standard key

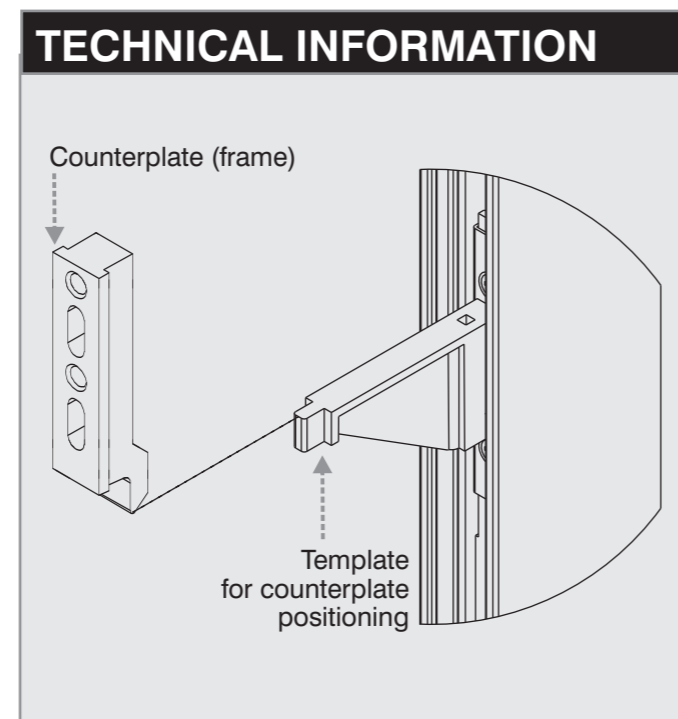
ART. 02996 external handle with European cylinder lock



TOP SECURITY BRIO



Giesse supplies the **template for the counterplate positioning** in every packing of multilocking (2/3 points) .



TOP SECURITY BRIO

Articles for Multi-locking system

	ARTICLE	PCS/PACK
	02998 MULTI-LOCKING TOP SECURITY BRIO 3P	10
	02997 MULTI-LOCKING TOP SECURITY BRIO 2P	10
	02612 UNIVERSAL TEMPLATE FOR MULTI-LOCKING SYSTEM	5

Brio range hardware

	ARTICLE	PCS/PACK
	02983 BRIO PLUS RECESSED HANDLE 02973 BRIO PLUS MD RECESSED HANDLE	100
	03016 INT. PULL HANDLE	5
	02980 EXT. EMBEDDING HANDLE 02981 EXT. EMBEDDING HANDLE MD	5
	02966N EXT. PULL HANDLE	5
	02967V EXT. PULL HANDLE WITH STANDARD KEY	5
	02996 EXT. PULL HANDLE WITH EUROPEAN KEY	5

For technical information concerning the product
please contact GIESSE technical service.

GSG INTERNATIONAL S.p.A.
OVERSEAS DIVISION

Via Leonardo Da Vinci, 320/414
40060 z.i. Fossatone - Medicina
Bologna - Italy
Tel. +39/051/8850677
Fax +39/051/8850203
e-mail: contactus@giessegroup.com



 **GIESSE**[®]
www.giesse.it